

watts electronics private limited

LOW OHM CURRENT SENSING RESISTORS CERAMIC ENCASED

INTRODUCTION:

The WCSB/WCST/WCSV low ohm current sensing resistors are manufactured with high purity Ni-Cr/Cu-Ni element. These are ceramic encased resistors.

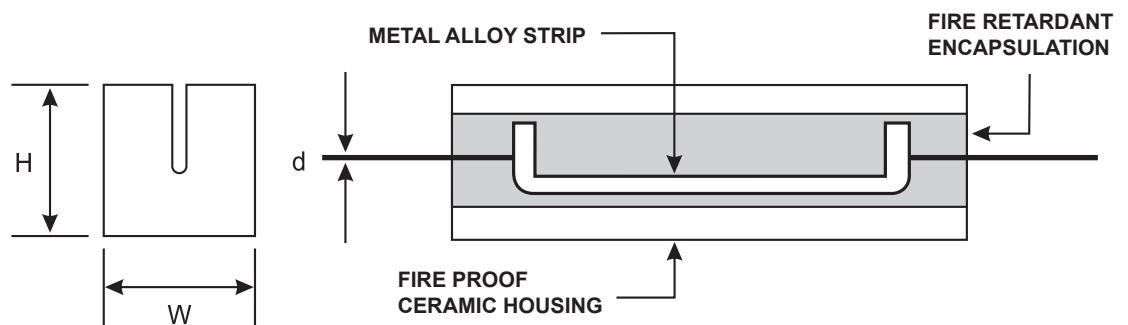
WATTS offers these resistors ranging from 2mΩ to 50mΩ, having power rating from 2W to 10W.

WCSB is axial type ceramic boat encased resistor.

WCST is axial type ceramic tube encased resistor.

WCSV is vertical type ceramic boat encased resistor.

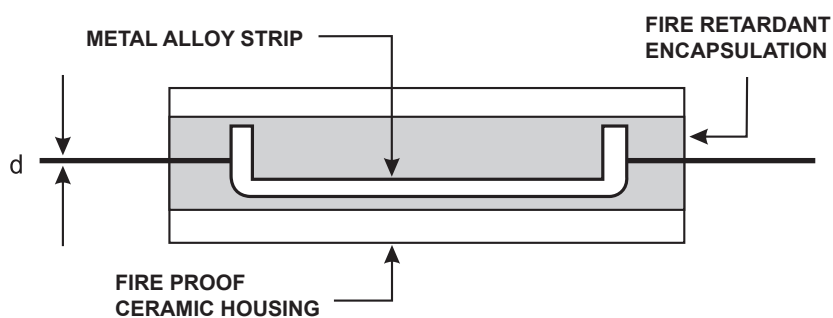
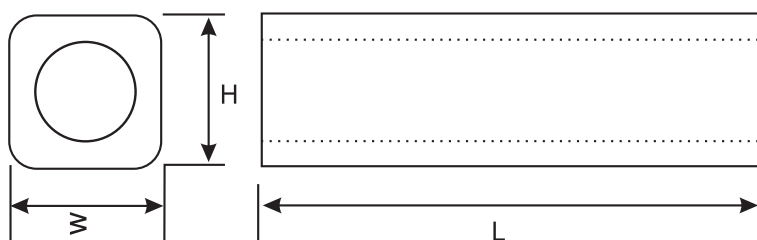
TYPE No. WCSB



SPECIFICATIONS

Type	Wattage	Dimensions in mm				Range in Ohms [mΩ]		Tolerance
		W	H	L	d			
WCSB 1	1	5.5	5.5	13	0.80 ± 0.05	2	50	5%
WCSB 2	2	7.5	7.5	18	0.80 ± 0.05	2	50	5%
WCSB 3	3	7.5	7.5	18	0.80 ± 0.05	2	50	5%
WCSB 4	4	8.5	8.5	20	0.80 ± 0.05	2	50	5%
WCSB 5	5	10	10	22	0.80 ± 0.05	2	50	5%
WCSB 7	7	13	13	31	0.80 ± 0.05	2	50	5%
WCSB 10	10	13	13	36	0.80 ± 0.05	2	50	5%

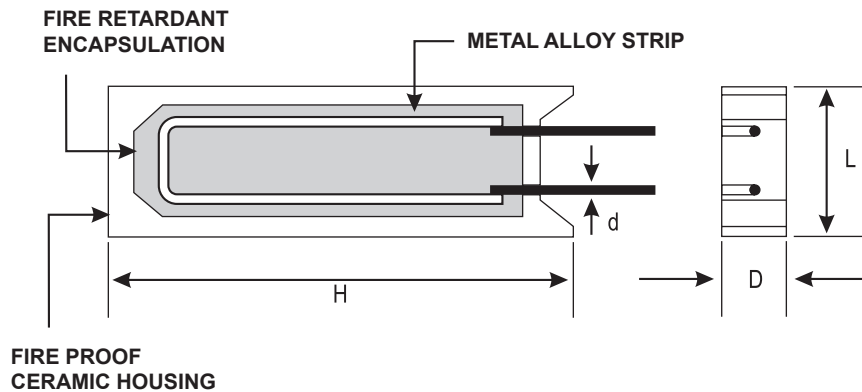
TYPE No. WCST



SPECIFICATIONS

Type	Wattage	Dimensions in mm				Range in Ohms [$m\Omega$]		Tolerance
		W	H	L	d			
WCST 1	1	6	6	12	0.80 ± 0.05	2	50	5%
WCST 2	2	6	6	15	0.80 ± 0.05	2	50	5%
WCST 3	3	6	6	15	0.80 ± 0.05	2	50	5%
WCST 4	4	7	7	20	0.80 ± 0.05	2	50	5%
WCST 5	5	7	7	25	0.80 ± 0.05	2	50	5%
WCST 7	7	9	9	25	0.80 ± 0.05	2	50	5%
WCST 10	10	9	9	38	0.80 ± 0.05	2	50	5%

TYPE No. WCSV



SPECIFICATIONS

Type	Wattage	Dimensions in mm				Range in Ohms [$m\Omega$]		Tolerance
		D	L	H	d			
WCSV 1	1	3.2	9	28	0.80 ± 0.05	2	50	5%
WCSV 2	2	4.25	11	28	0.80 ± 0.05	2	50	5%
WCSV 3	3	5	15	28	0.80 ± 0.05	2	50	5%
WCSV 4	4	5	15	28	0.80 ± 0.05	2	50	5%
WCSV 5	5	6	17	33	0.80 ± 0.05	2	50	5%
WCSV 7	7	8	25	38	0.80 ± 0.05	2	50	5%
WCSV 10	10	8	30	38	0.80 ± 0.05	2	50	5%